

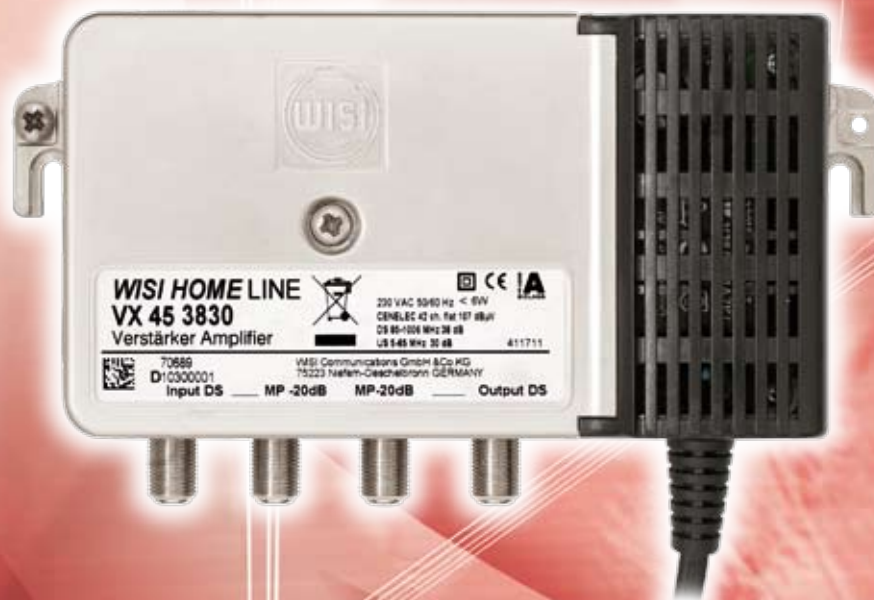
In-house distribution amplifier HOME LINE



VX 43 D 2018

VX 45 D 3830

Product information



At one glance:

- Rotary Switch „Q-Step“ – fixed attenuation steps (1 dB steps) and equalization steps (1,5 dB steps)
- Interruption-free settings
- No pads needed
- Integrated return path amplifier
- Test socket at in- and output
- High output level

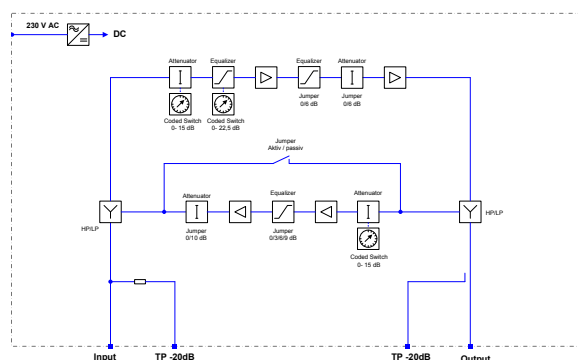
In-house distribution amplifier HOME LINE VX 43 D 2018, VX 45 D 3830



- F connectors
- Wall mounting
- Zinc die-cast housing

Type	VX 43 D 2018	VX 45 D 3830
Down-Stream / DS		
Frequency range (Jumper)	85 - 1006 MHz	85 - 1006 MHz
Gain	20 dB	38 dB
Input	- Attenuator (Switch) Steps - Equalizer (Switch) Steps	0-15dB 1 dB 0-22,5 dB 1,5 dB
Interstage	- Equalizer (Jumper) - Attenuator (Jumper)	0 / 6 dB 0 / 6 dB
Output level Cenelec 42 Ch. flat, CSO / CTB > 60 dB	≥107 dBμV	≥107 dBμV
Noise figure	≤ 7,5 dB	≤ 7,5 dB
Test socket	Output (Richtkoppler) Input (resistor)	-20 dB -20 dB
Up-Stream / US		
Frequency range	5 - 65 MHz	5 - 65 MHz
Gain	18 dB	30 dB
Input	- Attenuator (Switch) Steps	0-15 dB 1 dB
Interstage	- Equalizer (Jumper)	0 / 3 / 6 / 9 dB
Output	- Attenuator (Jumper)	0 / 10 dB
Noise figure	≤ 7 dB	≤ 6 dB
Output level 3. order EN50083-5	118 dBμV	118 dBμV
General data		
RF connectors	F	F
Impedance	75 Ohm	75 Ohm
Operating voltage	230 VAC ±10%	230 VAC ±10%
Operating mode	LED green	LED green
Power consumption	max. 6 W	max. 6 W
Operating temperature	-20 ... +55 °C	-20 ... +55 °C
Storage temperature	-25 ...+75 °C	-25 ...+75 °C
Protection class	IP 20	IP 20
EMV	EN50083-2	EN50083-2
Lightning protection DS input	1kV - EN61000-4-5 1,2/50 μs pulse	1kV - EN61000-4-5 1,2/50 μs pulse
Dimensions W x H x D	163 x 90 x 47 mm	163 x 90 x 47 mm

VX 45 D 3830



WISI Communications GmbH & Co. KG

Empfangs- und Verteiltechnik
Wilhelm-Sihn-Straße 5-7
75223 Niefern-Oeschelbronn, Germany

Telefon +49 72 33-66-280 Fax -3 50
info@wisi.de
www.wisi.de



excellence in digital ...